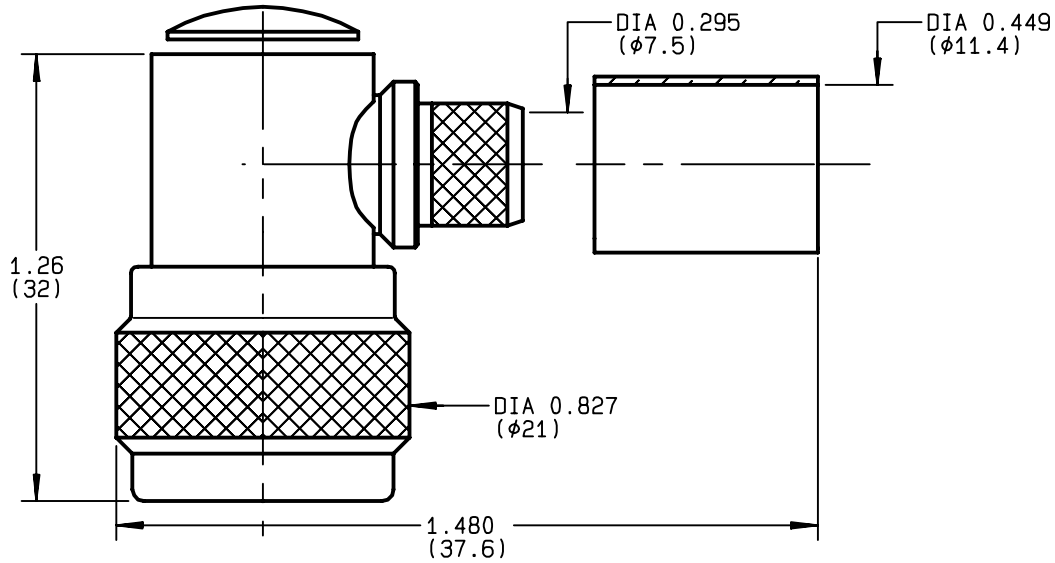


**RIGHT ANGLE PLUG CRIMP TYPE  
CABLE 11/50 D**

**R161.186.000**  
**SERIES N**



NOMINAL IMPEDANCE	<b>50</b> Ω	CABLES : <b>KX 13</b> <b>RG 214</b> <b>RG 225</b>
FREQUENCY RANGE	<b>0-11</b> GHz	
TEMPERATURE RATING	<b>-55/+155</b> °C	
V.S.W.R	<b>1.90</b> + x F(GHz)Maxi	
RF INSERTION LOSS	<b>0.07</b> √F(GHz) dB Maxi	
VOLTAGE RATING	<b>1400</b> Veff Maxi	
DIELECTRIC WITHSTANDING VOLTAGE	<b>2500</b> Veff Mini	
INSULATION RESISTANCE	<b>5000</b> MΩMini	
HERMETIC SEAL	<b>NA</b> Atm.cm <sup>3</sup> /s	
LEAKAGE (pressurized only)	<b>NA</b>	
MECHANICAL DURABILITY	<b>500</b> Cycles	OTHERS CHARACTERISTICS
WEIGHT	<b>43</b> gr	CABLE RETENTION <b>400</b> N Mini
SPECIFICATION		CENTER CONTACT RETENTION
		Axial force - mating end <b>27</b> N Mini
		Axial force - opposite end <b>27</b> N Mini
		Torque <b>NA</b> cm.N Mini
		RECOMMENDED TORQUES
		Mating <b>130</b> cm.N
		Panel nut <b>NA</b> cm.N
		Clamp nut <b>NA</b> cm.N

CONNECTOR PARTS	MATERIALS	FINISH	(all values are given ) in micrometers
BODY	BRASS	BBR 2	
OUTER CONTACT	BRASS	BBR 2	
CENTER CONTACT	BRASS	GOLD 0.5 OVER NICKEL 2	
INSULATOR	PTFE	-	
GASKET	SILICONE RUBBER	-	
OTHERS PIECES	BRASS	BBR 2	

ISSUE	CREATION DATE	FILE PART-NUMBER
<b>9812E01</b>	<b>30/06/1993</b>	<b>EPC 96-07</b>



BONMINI

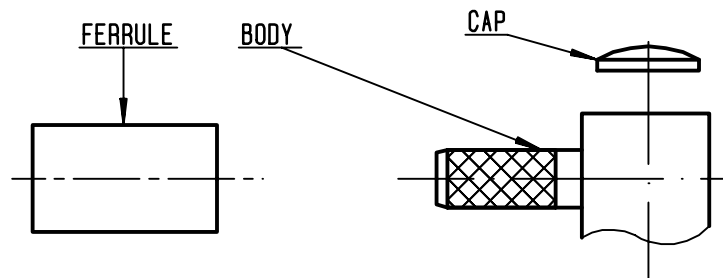
The information given here is subject to change without notice.  
Design changes may be in order to improve the product .

*Connect to the future*



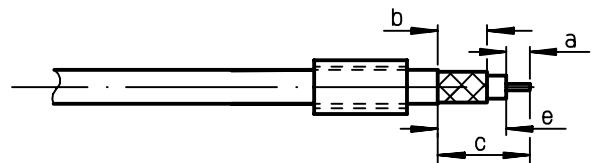
**R161.186.000**

ISSUE **9812E01** SERIES **N**



①

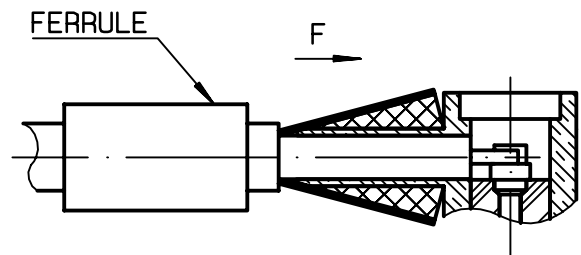
Slide onto the cable the ferrule .  
Strip the cable .  
-  
-



Stripping	a	b	c	d	e
inch	0.197	0.315	0.827	0	0.63
mm	5	8	21		16

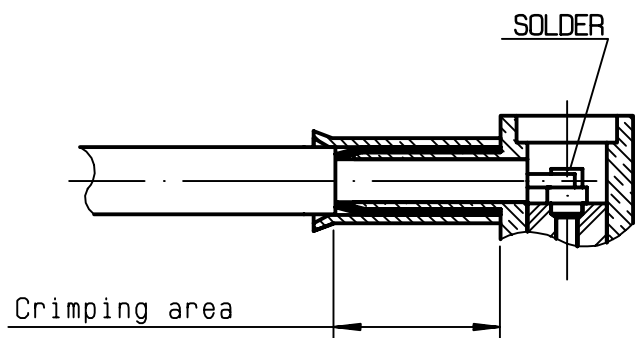
②

Fan the braid .  
Push connector body under the braid .  
Slide the ferrule on the braid  
( in direction F )  
-  
-



③

Crimp the ferrule with crimping tool  
R282 231 000 ( Hex. : 0.415 ) or  
crimping tool R 282 293 000 ( M22520/5-01 )  
+ dies R 282 235 116 ( Y116 DANIELS)  
Solder inner conductor .



④

Place the cap .  
Press cap flush or slightly below surface  
of body assembly .  
-  
-  
-  
-

